



T10S SPECIFICATIONS

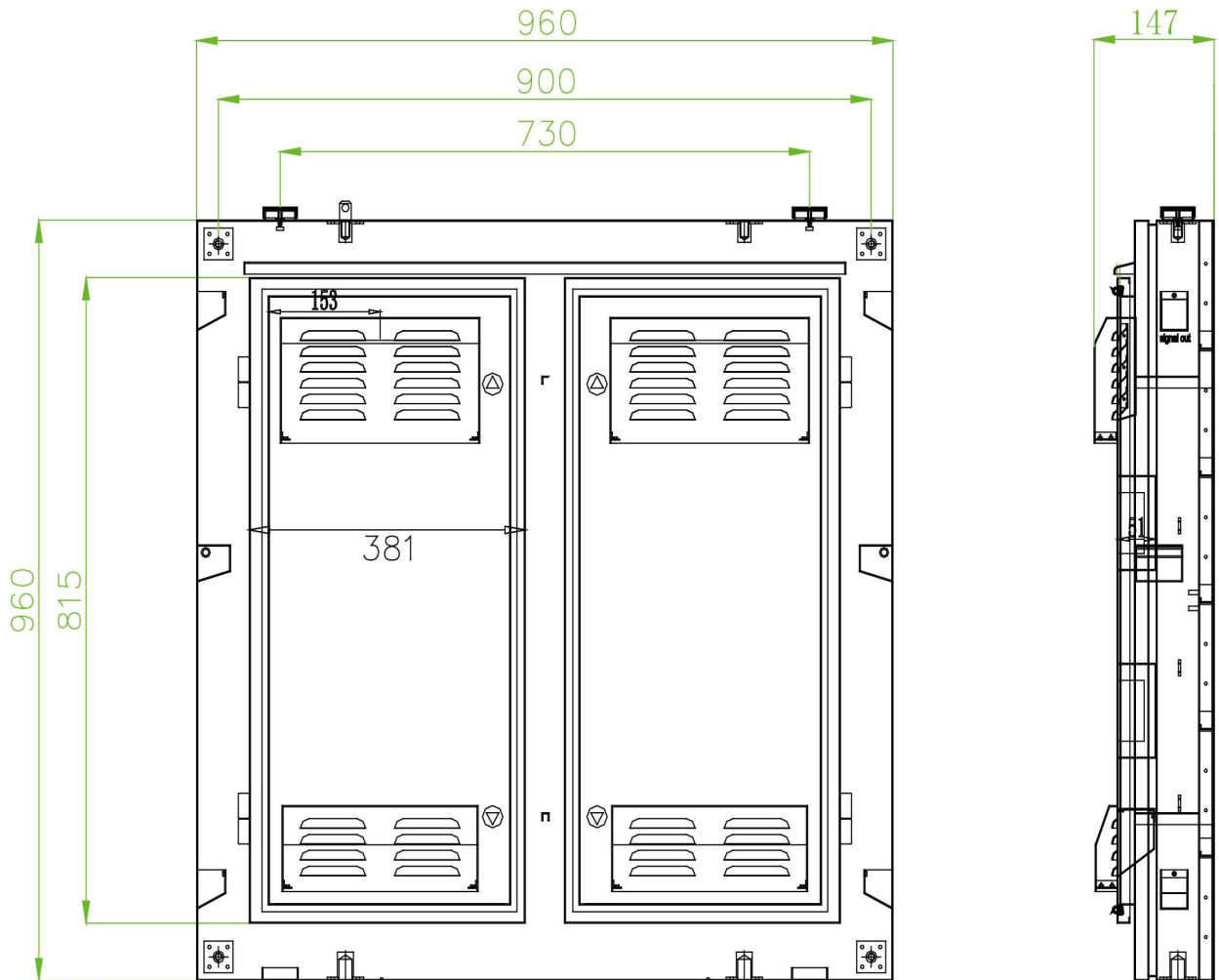
Versions: V20200519

Parameter		Value
Physical Parameter	Pixel Configuration	DIP570
	Pixel Pitch (mm)	10
	Pixel matrix per panel	96x96
	Pixel density (pixels/sq.m.)	10000
	Cabinet Dimensions (LxWxH)/ (mm)	960x960x147
	Module Dimensions (LxWxH)/ (mm)	320X160X26.5
	Panel material	Iron
	Cabinet weight (kg/panel)	42.9
	Module weight (kg/panel)	0.67
Electronic Parameter	Color Grayscale (Bit)	14-16bit
	Gray Scale per Color (level)	≥16384
	Refresh Rate (Hz)	3840
	Driving Type	1/4
	Signal Transmission Distance (m)	CAT5 cable: <100 m; Single mode fiber: <10 km
Optical Parameter	Brightness (nit)	10000
	Optimal Horizontal Viewing Angle (°)	110
	Optimal Vertical Viewing Angle (°)	55
Electrical Parameter	AC Input Voltage (V)	AC: 100-240V±10%
	AC Input Frequency (Hz)	50
	AC Input Power Maximum Value (W/m ²)	550
	AC Input Power Typical Value (W/m ²)	185
Circumstance Parameter	Storage Temperature (°C)	-40 -70
	Working Temperature (°C)	-20 -50
	IP rating (Front/Rear)	IP65/IP54
	Storage Humidity (RH)	10%~90%
	Working Humidity (RH)	10%~90%
	Lifetime Typical Value (hrs)	100000
Installation Type	Cabinet installation type	Fix
	Rigging Quantity (Vertical) (PCS)	\

If the parameter variation causing by product upgrades, all interpretation right belongs to Kingaurora.



T10S dimensional drawing





T10S pictures

